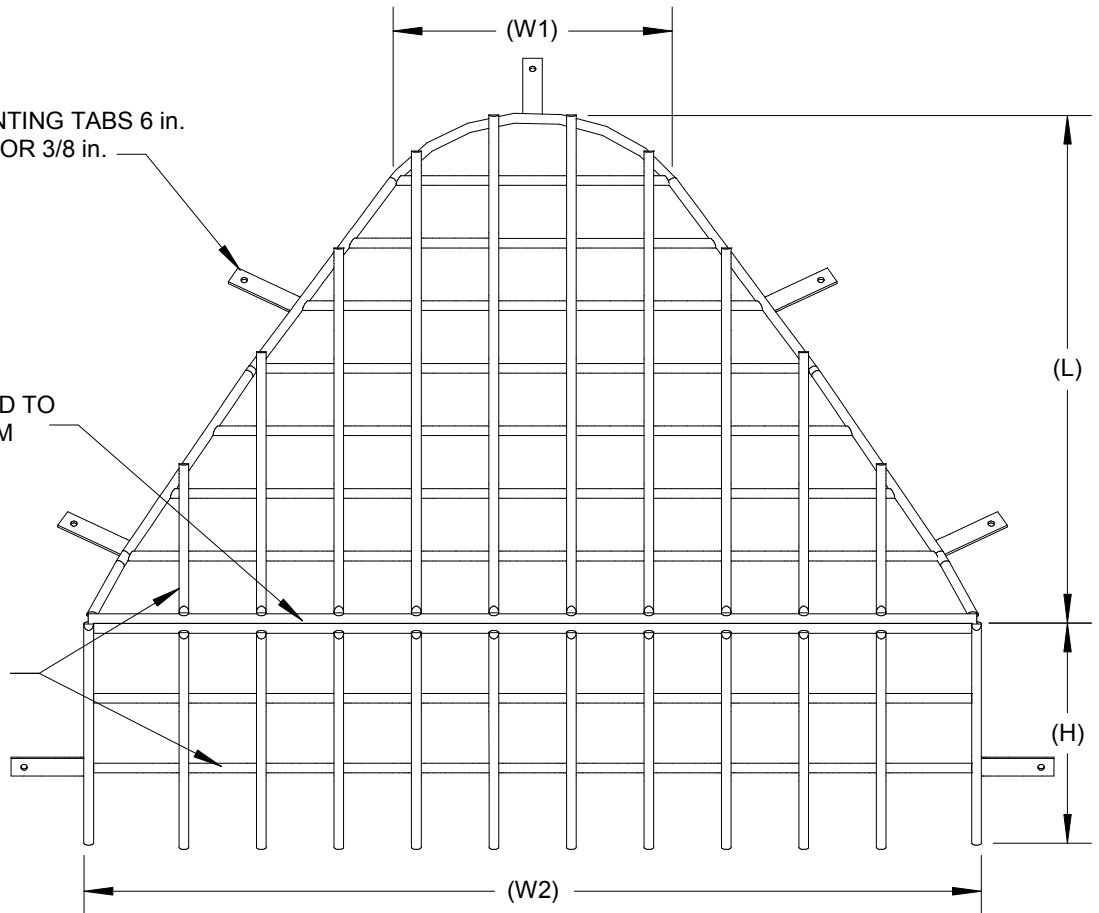


3/16 x 1 1/2 in. FLAT MOUNTING TABS 6 in.
LONG WITH 1/2 in HOLE FOR 3/8 in.
STAINLESS FASTENERS

LOWER SECTION WELDED TO
UPPER SECTION AT SEAM

ALUMINUM ROUND BARS



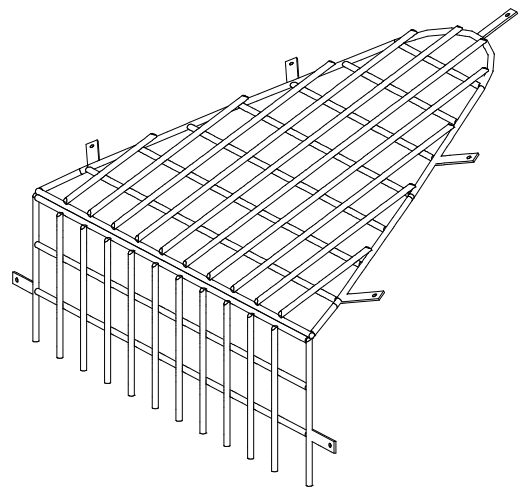
NOTES:

1. ALL MATERIALS TO BE ALUMINUM 6061-T6 ALLOY.
2. WELD ALL INTERSECTIONS.
3. FASTEN TO FLARED END WITH 3/8 in. x 3 in. STAINLESS STEEL CONCRETE WEDGE ANCHORS MINIMUM OF (5).
4. MOUNTING TABS TO BE BENT IN FIELD DURING INSTALLATION TO MEET SURFACE OF FLARED END SECTION.

TRASH RACK INFORMATION

RACK WIDTH (W1)	
RACK WIDTH (W2)	
RACK DIAGONAL LENGTH (L)	
LOWER RACK HEIGHT (H)	
BAR DIAMETER	
BAR CENTERLINE SPACING	
FES PIPE SIZE	
FES MATERIAL	

NOTES:



ISOMETRIC VIEW

This CAD file and drawing is the property of Effluent Design & Fabrication, LLC. It is intended for the named recipient. Unauthorized reproduction, disclosure, or distribution is strictly prohibited.



Effluent
Design & Fabrication, LLC
www.effluentdesignfab.com

6 William Martin Way
Flemington, NJ 08822

Phone: 908.458.9220
FAX: 908.458.9930

PROJECT:
ALUM. FLARED END SECTION AFES RACK

FILE #:

DATE:

SCALE:

DRAWN BY: